

# GSE 300

## Economical Granulator

- Knives are adjusted outside of the machine
- Mobile Compact design
- Different rotor types available
- Easy accessibility
- Aggressive tangential infeed



Rotor and stator knives are pre-set outside the machine prior to installation in a supplied fixture. This makes awkward adjustment inside the machine unnecessary.



The GSE granulators are available with different rotor options to fit different applications, all rotors feature the V-cut technology creating a high quality regrind.



The user friendly design of the GSE series granulators allows quick and easy access to the cutting chamber for maintenance and cleaning.

### General Description

For the GSE 300 series different rotor designs are available in widths ranging from 300 mm to 1000 mm with a diameter of 300 mm. The completely welded cutting chamber in conjunction with the "V" type rotor design ensures dependability in operation and universal application use. The housing design offers easy and quick access to the cutting chamber during rotor and stator knife changes, servicing or screen changes.

### Applications

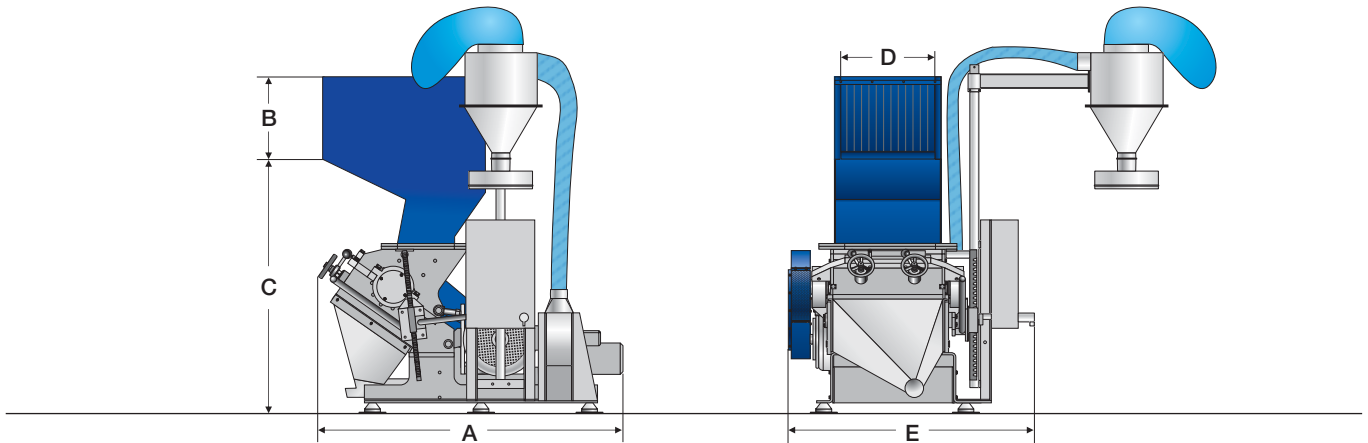
The GSE series of machines are designed as economical granulators for use in in house recycling. The cutting geometry of the GSE 300 series makes it ideal for the grinding of small thin walled hollow parts. The complete GSE granulator line achieves a high quality regrind independent of the material type or form such as injection moulded parts, blow moulded parts, profiles, sheets, film, etc.



**The Home of Size Reduction**

# GSE 300

## Economical Granulator



### Technical Specifications and Dimensions

#### Model

Rotor diameter (mm)	300	300	300
Rotor width (mm)	300	600	1000
Drive capacity (kW)	7.5	11	18.5
Rotor knives (rows)	3	3	3
Stator blades (rows)	2	2	2
Screen size (mm)	>6	>6	>6
Effective working area (mm)	400 x 290	400 x 590	400 x 990
Weight approx (kg)	900	1000	1350

#### 300/300

Rotor diameter (mm)	300
Rotor width (mm)	300
Drive capacity (kW)	7.5
Rotor knives (rows)	3
Stator blades (rows)	2
Screen size (mm)	>6
Effective working area (mm)	400 x 290
Weight approx (kg)	900

#### 300/600

Rotor diameter (mm)	300
Rotor width (mm)	600
Drive capacity (kW)	11
Rotor knives (rows)	3
Stator blades (rows)	2
Screen size (mm)	>6
Effective working area (mm)	400 x 590
Weight approx (kg)	1000

#### 300/1000

Rotor diameter (mm)	300
Rotor width (mm)	1000
Drive capacity (kW)	18.5
Rotor knives (rows)	3
Stator blades (rows)	2
Screen size (mm)	>6
Effective working area (mm)	400 x 990
Weight approx (kg)	1350

A (mm)

1760

1810

1370

B (mm)

460

460

460

C (mm)

1420

1420

1420

D (mm)

300

590

990

E (mm)

1085

1350

1540

**ZERMA MACHINERY & RECYCLING TECHNOLOGY CO. LTD.**

5 Xinjie Rd Xinqiao Township Ind. Park

Songjiang · Shanghai · China

Phone : +86 21 57645573 · info@zerma.com

Technical modifications reserved / ver1.7 - 08.2015 / en

zerma.com

