

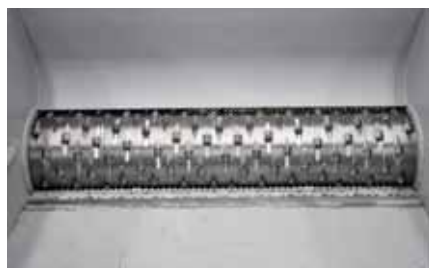
ZWS 1400-2600

Wood Shredder

- Large feeding hopper
- Robust welded steel construction
- Low speed operation
- Advanced rotor / knife mounting system



The large feeding hopper allows the machine to be used for a variety of materials.



The rotors are equipped with square knives, producing high quality output. The cutters can be turned after they are worn.



Angled hydraulic pusher to ensure optimal material feeding and ingestion.

General Description

ZERMA ZWS wood shredders are single shaft shredders featuring an angled hydraulic ram suitable for a wide range of material shapes and sizes. The ZWS shredders are equipped with a ZERMA E style rotor and knife holder fixing system. The final size of the material is determined by the screen which can easily be changed based on requirements. The ZWS shredder can be tailored to individual requirements, this includes different drive powers, knife configurations as well as discharge options.

Applications

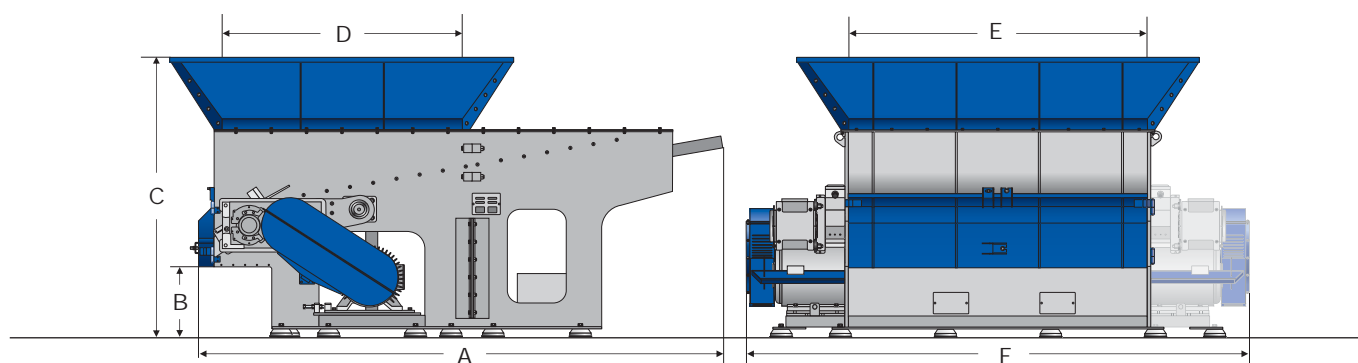
The ZWS series of single shaft shredders are mainly used in the wood industry to achieve a economic recycling of wood off cuts, pallets or other waste. The machines have been engineered for strength and reliability in daily operation. These shredders can easily be integrated into complete lines with other ZERMA products and accessories such as belts, granulators, etc.



The Home of Size Reduction

ZWS 1400-2600

Wood Shredder



Technical Specifications and Dimensions

Model	1400	1700	2000	2600	2600/600
Rotor diameter (mm)	400	400	400	400	600
Rotor width (mm)	1400	1680	1960	2520	2520
Rotor speed (rpm)	104	104	104	104	104
Drive capacity (kW)	45	55	90	2 x 75	2 x 90
Rotor knives (pcs)	34	41	48	62	124
Stator blades (rows)	1 x 5	1 x 6	1 x 7	1 x 9	1 x 9
Ram feeder drive (kW)	3.75	3.75	3.75	5.6	5.6
Screen size (mm)	>40	>40	>40	>40	>40
Cutting chamber volume (m ³)	3.6	4.7	5.5	7.2	8.9
Effective working area (mm)	1360 x 1430	1640 x 1550	1920 x 1550	2480 x 1550	2480 x 1550
A (mm)	4000	4405	4405	4350	4550
B (mm)	455	455	455	595	695
C (mm)	2170	2240	2240	2380	2725
D (mm)	1885	2050	2050	2040	2040
E (mm)	1420	1700	1980	2540	2540
F (mm)	2415	2735	3080	4270	4270

ZERMA MACHINERY & RECYCLING TECHNOLOGY CO. LTD.

5 Xinjie Rd Xinqiao Township Ind. Park

Songjiang · Shanghai · China

Phone : +86 21 57645573 · info@zerma.com

Technical modifications reserved / ver1.7 - 08.2015 / en

zerma.com

